



The new degree of comfort®



Residential Gas
Professional Classic
Atmospheric Water Heaters

Professional Classic® Atmospheric gas water heaters are engineered for more hot water at a low operating cost

Efficiency

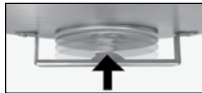
- .58 - .66 UEF
- More hot water at a low operating cost

Performance

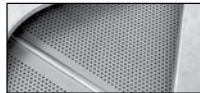
- FHR: 51 - 87 gallons
- Recovery: 30.3 to 40.4 GPH at a 90° F rise, depending on model

Guardian System™ & Sensor

- Exclusive air/fuel shut-off device
- Maintenance free – no filter to clean
- Protective control system that disables the heater in the presence of flammable vapor accumulation



Combustion Shut-off System



Flame Arrestor Plate



Maintenance Free

Low Emissions

- Eco-friendly burner, low NOx design
- Meets 40 ng/J NOx requirements

Longer Life

- Premium grade anode rod provides long-lasting tank protection

Altitude Certification

- All models certified up to 5,999 feet above sea level, some certified up to 10,000 feet. Consult factory for specifications

Plus...

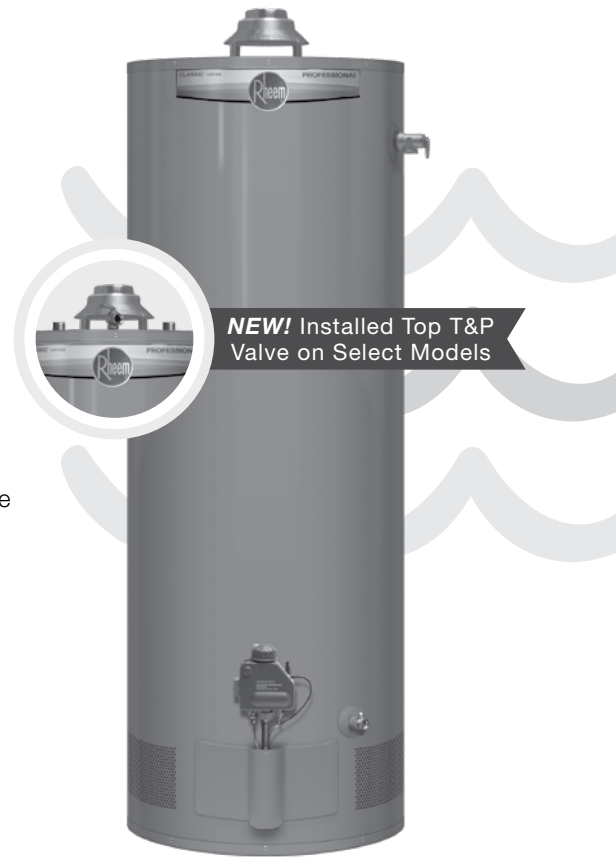
- Easy to light – no matches required
- EverKleen™ patented system fights sediment build-up
- Exclusive Rheemglas® tank lining resists corrosion and prolongs tank life
- Enhanced flow brass drain valve
- Temperature and pressure relief valve included
- Factory installed temperature and pressure relief valve on select models
- Low lead compliant
- Standard replacement parts

Warranty

- 6-Year limited tank and parts warranty*
- With ProtectionPlus™ the 6-year limited tank warranty becomes 10-year

*See Residential Warranty Certificate for complete information

Units meet or exceed ANSI requirements and have been tested according to D.O.E. procedures. Units meet or exceed the energy efficiency requirements of NAECA, ASHRAE standard 90, ICC Code and all state energy efficiency performance criteria.



NEW! Installed Top T&P Valve on Select Models

**Professional Classic
Atmospheric**
29, 30, 40 and
50-Gallon Capacities
Up to 40,000 BTU/h
Natural and LP Gas



† LEED Point = 1

See specifications chart on back.



INTEGRATED HOME COMFORT



The new degree of comfort.®



Residential Gas
Professional Classic
Atmospheric Water Heaters

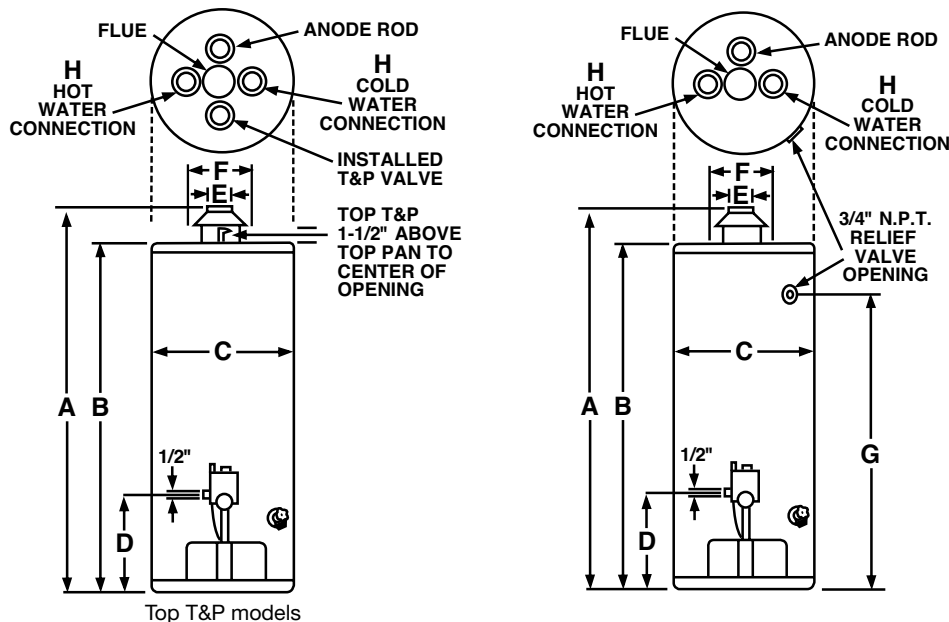
Professional Classic® Atmospheric Specifications

DESCRIPTION			FEATURES						ROUGHING IN DIMENSIONS (SHOWN IN INCHES)								ENERGY INFO.		
TYPE	NOMINAL GALLON CAPACITY	RATED GALLON CAPACITY	MODEL NUMBER	GAS INPUT IN THOUS. BTU/H		RECOVERY IN G.P.H. 90° F RISE		UEF FIRST HR. DEL. G.P.H.		HEIGHT TO VENT A	TANK HEIGHT B	DIAM. C	HT. TO GAS CONN. D	VENT SIZE E	WATER CONN. CENTER F	HT. TO SIDE T&P VALVE G	WATER CONN. SIZE H	SHIP WT. (LBS)	UNIFORM ENERGY FACTOR (UEF)
				NAT.	LP	NAT.	LP	NAT.	LP										
Tall	29	28	PROG29-32N RH63	32	-	32.3	-	63	-	59-3/4	56-7/8	16-1/2	14-1/4	3 or 4	8	50-3/4	3/4	110	0.60
Tall	29	28	PROG29-30P RH63	-	30	-	30.3	-	63	59-3/4	56-7/8	16-1/2	14-1/4	3 or 4	8	50-3/4	3/4	110	0.60
Tall	40	38	PROG40-36N RH62 [†]	36	-	36.4	-	64	-	61-1/2	58-1/2	19	14-1/4	3 or 4	8	52-1/4	3/4	127	0.58
Tall	40	38	PROG40-38N RH62 [†]	38	-	38.4	-	64	-	61-1/2	58-1/2	19	14-1/4	3 or 4	8	52-1/4	3/4	127	0.58
Tall	40	38	PROG40-40N RH62 [†]	40	-	40.4	-	84	-	63-1/4	60	19-1/2	14	3 or 4	8	53-1/2	3/4	135	0.66
Tall	40	38	PROG40-36P RH62 [†]	-	36	-	36.3	-	84	63-1/4	60	19-1/2	14	3 or 4	8	53-1/2	3/4	135	0.66
Tall	40	38	PROG40-32P RH62 [†]	-	32	-	32.3	-	67	61-1/2	58-1/2	18-1/2	14-1/4	3 or 4	8	52-1/4	3/4	125	0.59
Tall	50	48	PROG50-40N RH62 [†]	40	-	40.4	-	76	-	62-1/2	59-1/4	21-1/2	14-1/2	3 or 4	8	52-1/2	3/4	165	0.65
Tall	50	48	PROG50-36P RH62 [†]	-	36	-	36.4	-	76	62-1/2	59-1/4	21-1/2	14-1/2	3 or 4	8	52-1/2	3/4	165	0.65
Tall	50	48	PROG50-38N RH60 [†]	38	-	38.4	-	85	-	61-1/4	58-3/8	20-1/2	14-1/4	3 or 4	8	51-3/8	3/4	150	0.64
Tall	50	48	PROG50-36P RH60 [†]	-	36	-	36.4	-	85	61-1/4	58-3/8	20-1/2	14-1/4	3 or 4	8	51-3/8	3/4	150	0.64
Short	30	29	PROG30S-30N RH63	30	-	30.3	-	51	-	49-7/8	47	19-3/4	14-1/4	3 or 4	8	40-3/8	3/4	112	0.60
Short	40	38	PROG40S-40N RH62 [†]	40	-	40.4	-	52	-	53-7/8	50-1/2	23	14-1/2	3	8	44	3/4	135	0.58
Short	40	38	PROG40S-36P RH62 [†]	-	36	-	36.4	-	52	53-7/8	50-1/2	23	14-1/2	3	8	44	3/4	135	0.58
Short	40	39	PROG40S-38N RH62 [†]	38	-	38.4	-	65	-	53-1/4	50-1/4	21-3/8	14-1/4	3 or 4	8	44	3/4	125	0.58
Short	40	39	PROG40S-35P RH62 [†]	-	35	-	35.4	-	65	53-1/4	50-1/4	21-3/8	14-1/4	3 or 4	8	44	3/4	125	0.58
Short	50	48	PROG50S-40N RH61 [†]	40	-	40.4	-	87	-	54-1/4	51-1/8	23-3/4	14-1/4	3 or 4	8	44	3/4	186	0.63
Short	50	48	PROG50S-36P RH61 [†]	-	36	-	36.4	-	87	54-1/4	51-1/8	23-3/4	14-1/4	3 or 4	8	44	3/4	186	0.63
Models with Installed Top T&P Valve																			
Tall	40	38	PROG40-38N RH62TT	38	-	38.4	-	64	-	61-1/2	58-1/2	19	14-1/4	3 or 4	8	-	3/4	127	0.58
Tall	40	38	PROG40-40N RH62TT	40	-	40.4	-	84	-	63-1/4	60	19-1/2	14	3 or 4	8	-	3/4	135	0.66
Tall	50	48	PROG50-40N RH62TT	40	-	40.4	-	76	-	62-1/2	59-1/4	21-1/2	14-1/2	3 or 4	8	-	3/4	165	0.65
Tall	50	48	PROG50-38N RH60TT	38	-	38.4	-	85	-	61-1/4	58-3/8	20-1/2	14-1/4	3 or 4	8	-	3/4	150	0.64

Uniform Energy Factor and rated gallon capacity based on Department of Energy (DOE) requirements.



LEED Point = 1



In keeping with its policy of continuous progress and product improvement, Rheem reserves the right to make changes without notice.

Rheem Water Heating • 1115 Northmeadow Parkway, Suite 100
Roswell, Georgia 30076 • www.rheem.com



INTEGRATED HOME COMFORT